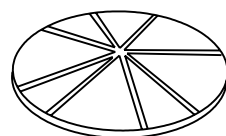
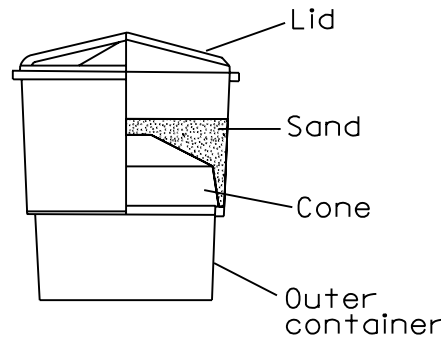


Model 640

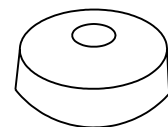
Model 960



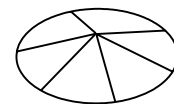
Lid



NOMINAL MASS		OUTER CONTAINER MODEL	CONE MODEL	LID	FILL HEIGHT FROM TOP (INCHES)
kg	lbs				
90	200	640	90/180	X	8.5
180	400	640	90/180	X	5
320	700	640	320	X	4
640	1400	640	-	X	3
960	2100	960	-	X	0



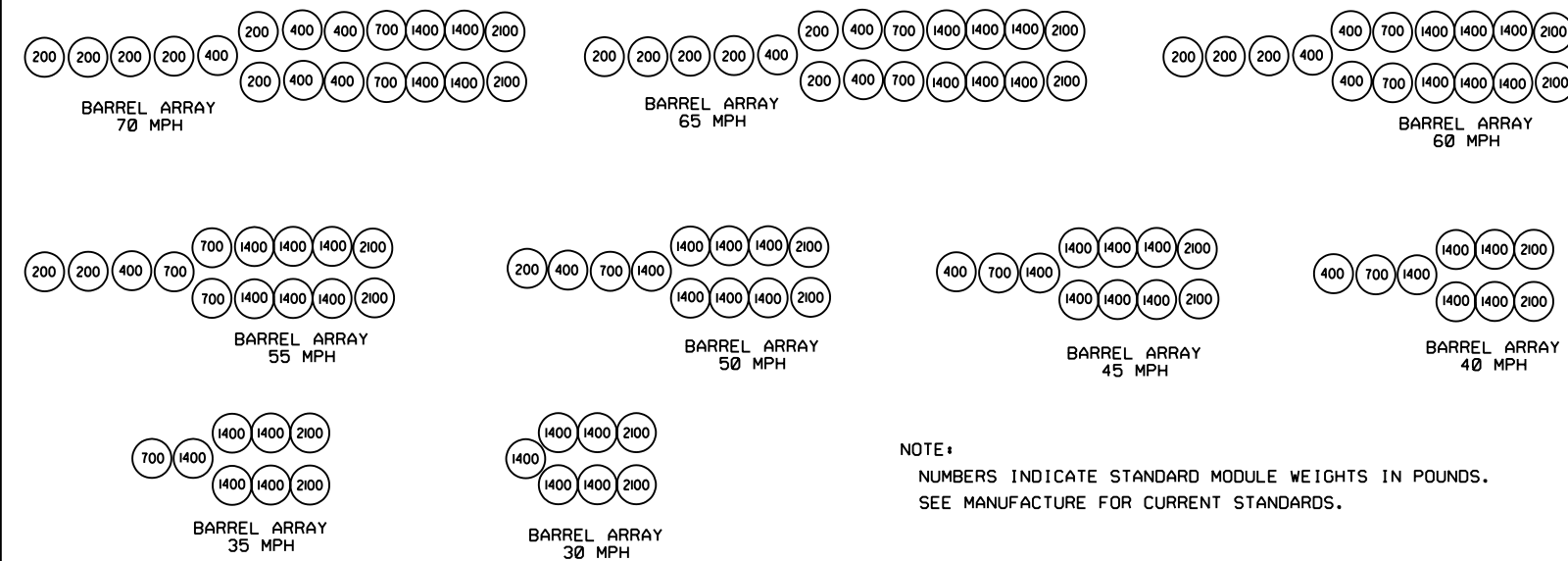
Model 90/180 cone



Model 320 cone

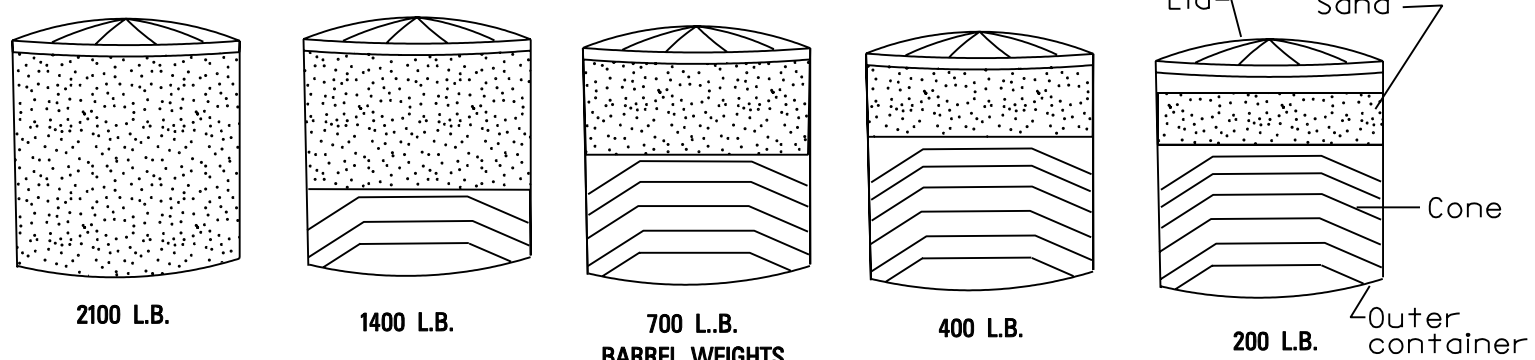
www.energyabsorption.com

## ENERGITE III



NOTE:  
NUMBERS INDICATE STANDARD MODULE WEIGHTS IN POUNDS.  
SEE MANUFACTURE FOR CURRENT STANDARDS.

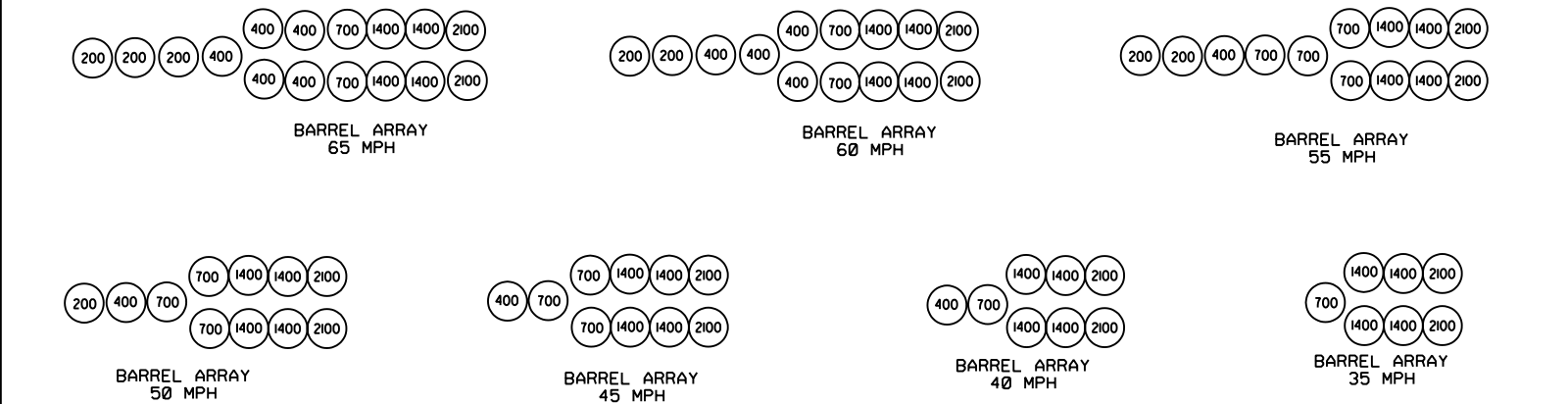
## ENERGITE III



NOTE:  
CONES ARE INDIVIDUAL AND STACK TO HEIGHT REQUIRED BY MANUFACTURE FOR WEIGHT REQUIREMENTS (DRAWING DOES NOT REPRESENT CONE QUANTITIES)

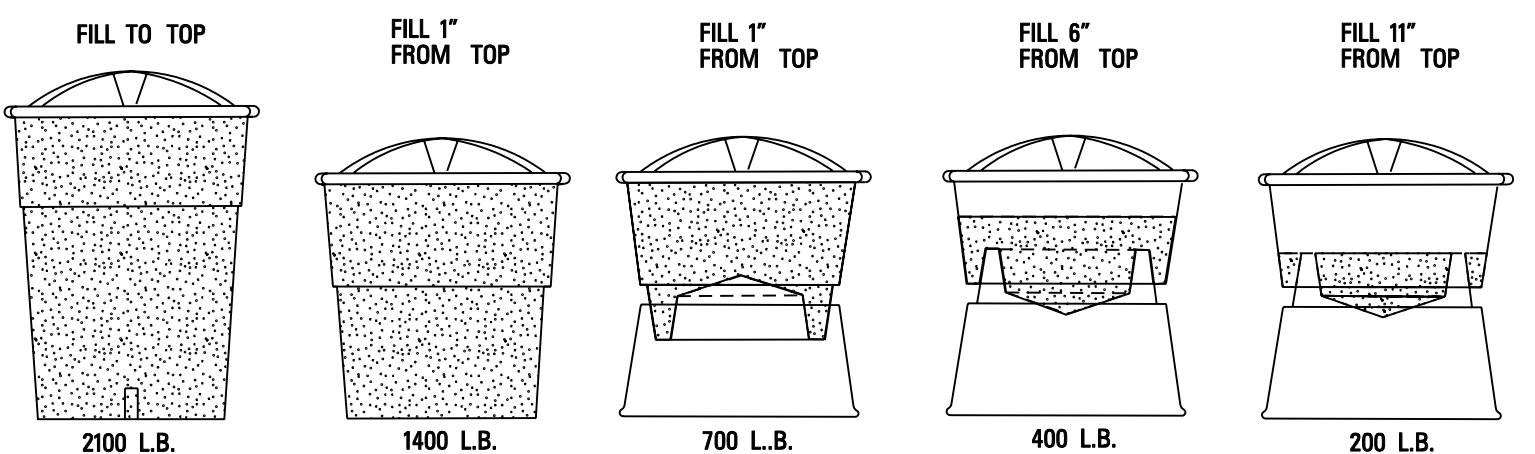
NOMINAL MASS		FILL HEIGHT FROM TOP (INCHES)
kg	lbs	
90	200	12
180	400	8.5
320	700	6
640	1400	TOP
960	2100	TOP

## FITCH



NOTE:  
NUMBERS INDICATE STANDARD MODULE WEIGHTS IN POUNDS.  
SEE MANUFACTURE FOR CURRENT STANDARDS.

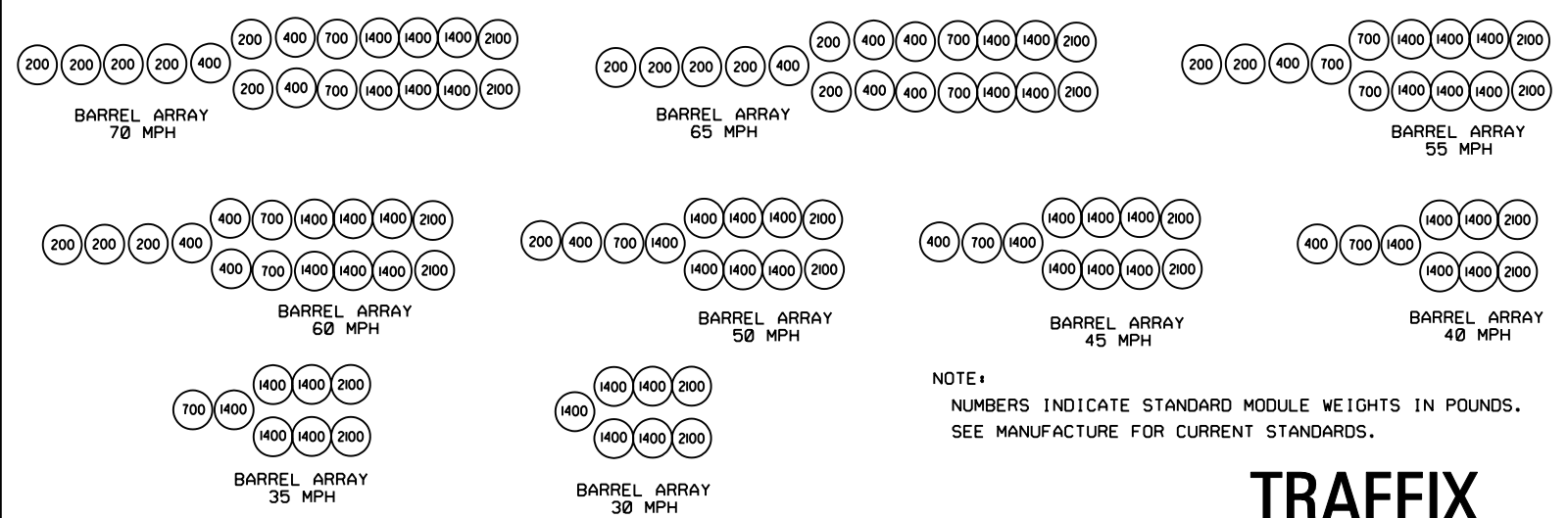
## FITCH



www.traffixdevices.com

BARREL WEIGHTS  
Traffix Devices, inc.

## TRAFFIX



NOTE:  
NUMBERS INDICATE STANDARD MODULE WEIGHTS IN POUNDS.  
SEE MANUFACTURE FOR CURRENT STANDARDS.

## TRAFFIX